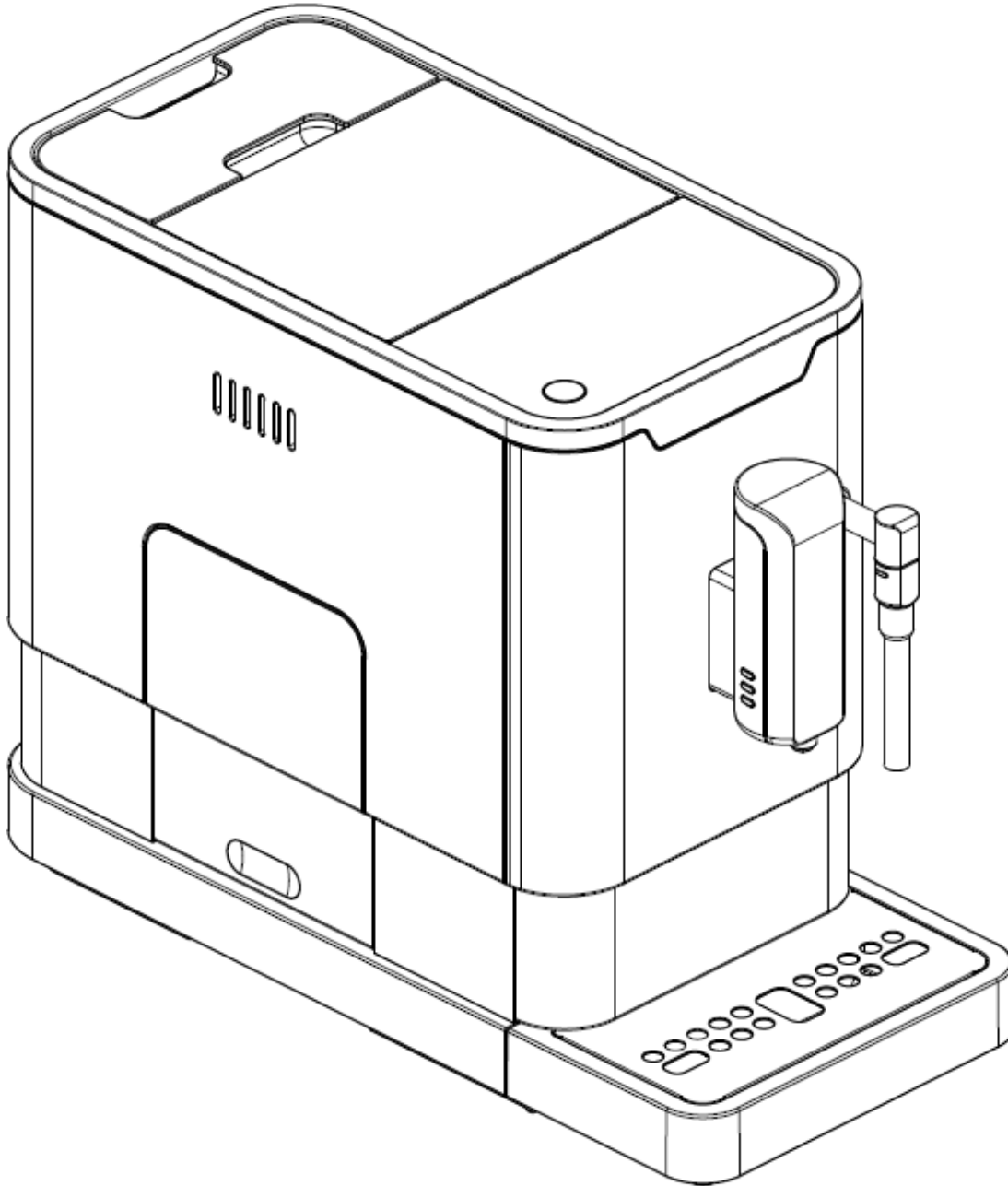


8212-0 Automatic Coffee Machine



IMPORTANT INFORMATION

For safety purposes please read these instructions carefully before using the appliance for the first time. Save the instructions for future reference.

The espresso machine is designed for domestic use and may only be operated in accord with these instructions.

Always handle with care.

DANGER: Misuse of the appliance can cause injury!

DO's

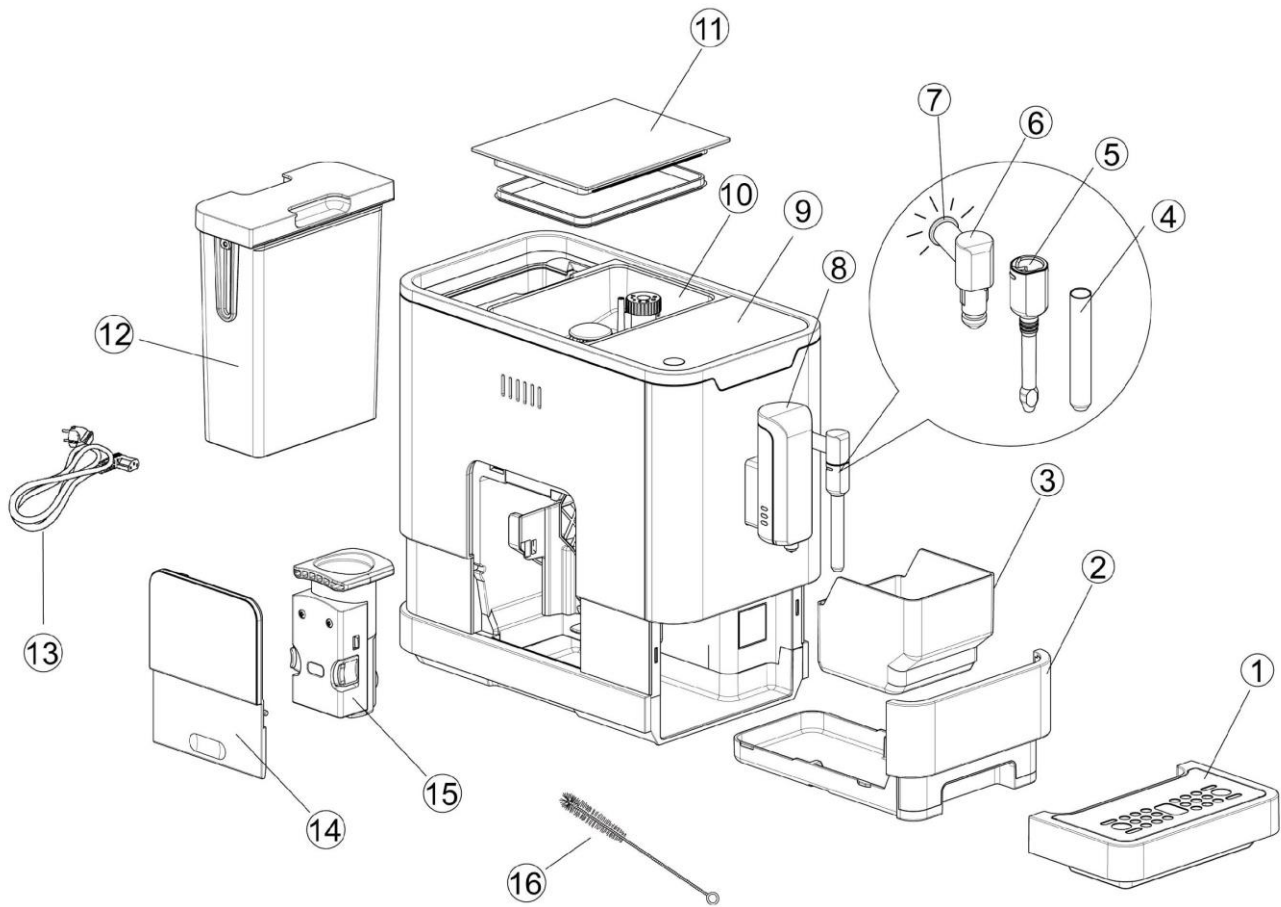
1. Check the main voltage stated on the rating plate corresponds to the electricity supply.
2. Unwind and straighten the power cord before using the appliance.
3. Place the appliance on a firm and steady surface.
4. The appliance must be used and rested on a stable surface.
5. Disconnect the appliance from main supply outlet under the following conditions:
 - Before the water tank is filled with water
 - Before removing any parts from the appliance or refitting any parts
 - Before cleaning or maintenance
 - When the appliance is not working correctly
 - After using the appliance
6. Empty the water tank if appliance will not be in use for some time.
7. Allow to cool before putting on or taking off parts, and before cleaning the appliance.
8. **ALWAYS USE COLD WATER** to make coffee. Warm water or other liquids could cause damage to the coffee maker.
9. If the power cord is damaged, it must be replaced by the manufacturer, its service agent or similarly qualified person to avoid any hazard.
10. Use the grinder for grinding coffee beans only.
11. Always disconnect the appliance from the electric outlet if it is left unattended and before assembling, disassembling or cleaning.
12. Appliance should be used by persons with reduced physical, sensory or mental capabilities or lack of experience and knowledge **ONLY** under supervision or instruction by a person concerning use of the appliance in a safe way and with understanding of the hazards involved.
13. Keep the appliance and its cord out of reach of children.
14. This appliance is designed for household use only.

DO NOT'S

1. Do not allow children to touch the appliance or the power cord.
2. Do not use an extension power cord set unless competent authority has approved it.
3. Do not leave the appliance unattended when it is connected to power supply.
4. Do not use the appliance in outdoor environment.
5. Do not use appliance for anything other than the intended use.
6. Do not let cord hang over the edge of table or counter or touch hot surface.
7. Do not use or place the appliance on a wet or hot surface.
8. Do not use the appliance if the drip tray is improperly placed in position.
9. Do not immerse the appliance in water or any liquids.
10. Do not use when any parts of the appliance are damaged.
11. Do not use the appliance when it is not working properly.
12. Do not unplug the appliance by pulling the power cord.
13. Do not place the cord on a sharp edge of an item.
14. Do not attempt to open the main body or dismantle any parts from the appliance, there are no serviceable parts inside.
15. Do not immerse in water for cleaning. The appliance automatically cleans itself after each use.
16. Do not use accessories not included in the box. It might be dangerous and should be avoided.
17. Do not place the appliance on or near hot gas or electric burner, or in heated oven.
18. **Do not operate the hot water function continuously for more than one tank of water.**

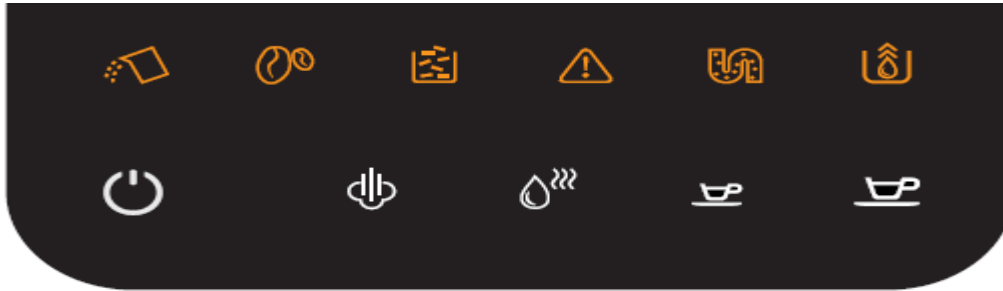
A. GET TO KNOW YOUR AUTOMATIC COFFEE MACHINE












I. GENERAL DESCRIPTION



1.	External Drip Tray	2.	Internal Drip Tray
3.	Coffee Grounds Container	4.	Metal Tube
5.	Nozzle Cover	6.	Steam Nozzle
7.	Steam Indicator Light	8.	Adjustable Coffee Spout
9.	Control Panel	10.	Coffee Bean Container
11.	Coffee Beans Container Cover	12.	Water Tank
13.	Power Cord	14.	Service Door
15.	Brewer	16.	Cleaning Brush

II. CONTROL PANEL

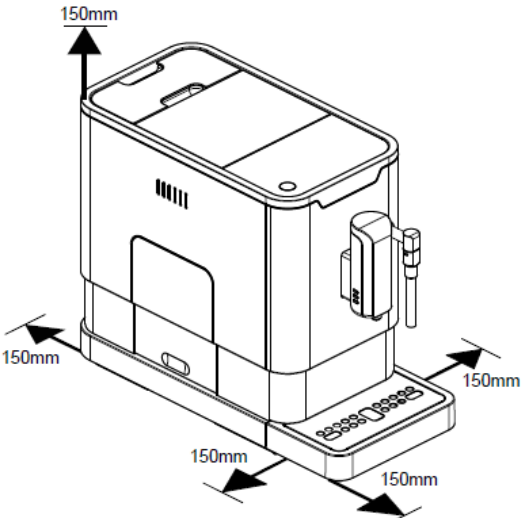
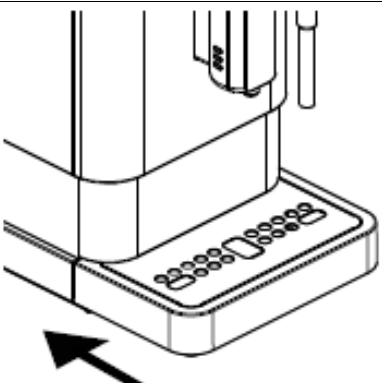
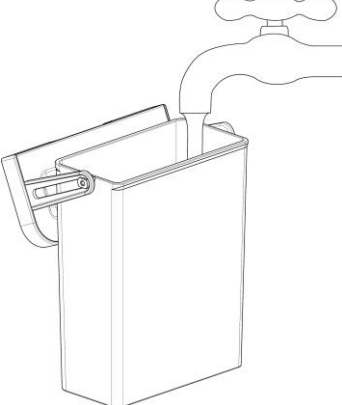


	Flashing: Low water level/ Water tank missing
	Lack of beans
	Steadily lights up: Coffee grounds container is full Flashing light: Internal Drip Tray/Coffee grounds container is missing
	Steadily lights up: Brewer is missing/ Installed improperly Flashing light: Service door is opened /Installed improperly
	Steadily lights up: Requires descaling Flashing light: Descaling is under process
	Empty System Function is running
	Power ON/OFF Button
	Steam button
	Hot Water Button
	Strong Espresso Button
	Mild Espresso Button

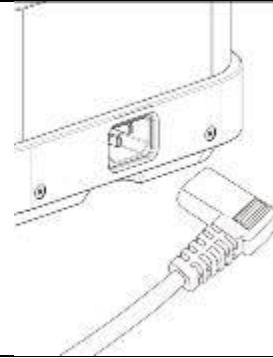
III. ACCESSORY

In the box, three packs of cleaning agents are included for the process of self-cleaning.

B. MACHINE INSTALLATION

<p>1. Remove any protective films, stickers and any other packing material on the appliance.</p>	
<p>2. Choose a safe and stable surface with an easy to reach power supply and leave space (minimum distance from each side) around the machine.</p>	
<p>3. Insert the external drip tray. Make sure it is inserted correctly.</p>	
<p>4. Fill the water tank with water (see "FILLING THE WATER TANK")</p>	
<p>5. Fill the bean box with coffee bean (SEE "FILLING THE COFFEE BEAN CONTAINER")</p>	

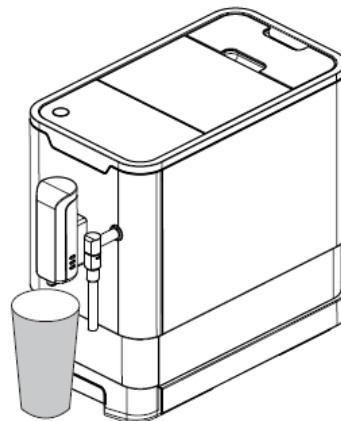
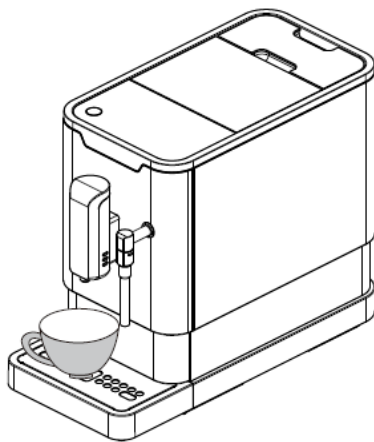
6. Unwind and straighten the power cord and insert the plug into the socket located on the back of the machine. Insert the other end of the power cord into a wall outlet with suitable power voltage.





C. Daily Operation

I. MAKING YOUR COFFEE


1. Switch on the appliance by pressing the power on/off button.
2. The appliance will rinse itself when turned on and when turned off and when it turns itself off automatically. Place an empty container under the adjustable coffee spout before turning on or off.
3. The appliance is then in the standby condition.
4. Place a cup under the coffee spout and adjust the height of the spout to fit the cup. Depending on the size of the cup (too tall or too wide) you can remove the drip tray as shown:



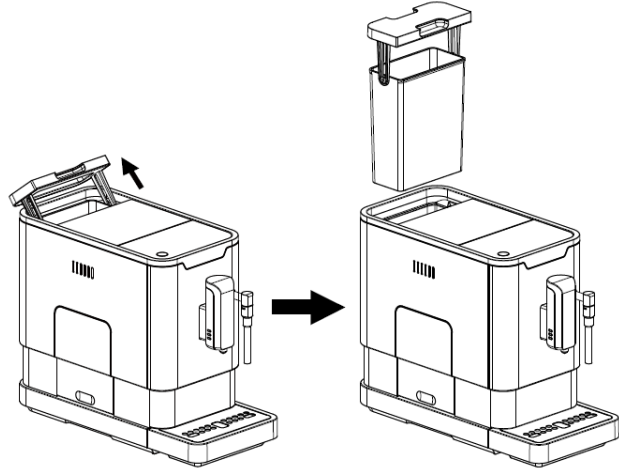
5. Depending on the taste of coffee you would like to have, press strong espresso button  or mild espresso button .
6. The espresso button being pressed will turn on and continue to be lit indicating that the appliance is preparing the cup of coffee.
7. When the appliance is back to standby condition, the coffee is ready to serve.

Note: Press the hot water button (see page 9 section IV) to clean inside of the coffee maker before first use.

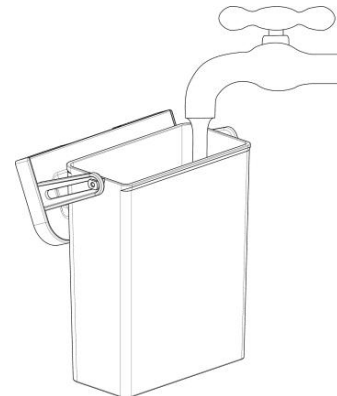
II. FILLING THE WATER TANK

When  is flashing, the water tank is in low water level and requires filling the water tank.

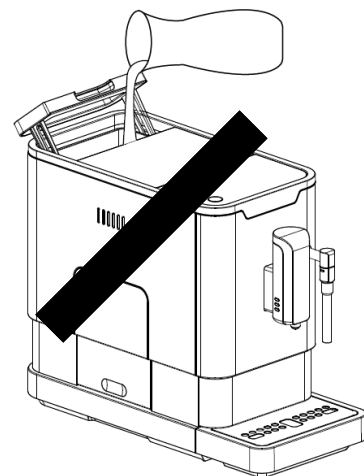
1. Lift the water tank by using the lid as the handle



2. Rinse the water tank with fresh water and then fill the tank to the Max level and place it back into the machine. Make sure it is fully inserted.




Note: To prevent overflow of water from the water tank, do not add water directly into the appliance with another container



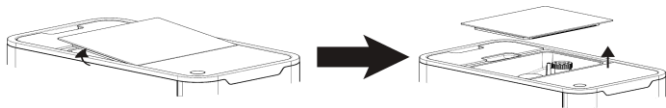
IMPORTANT: Never fill the water tank with warm, hot, sparkling water or any other liquid which

might damage the water tank and the machine

III. FILLING THE BEAN CONTAINER

When  is flashing, the appliance needs to be filled with coffee beans:

1. Remove the bean container lid



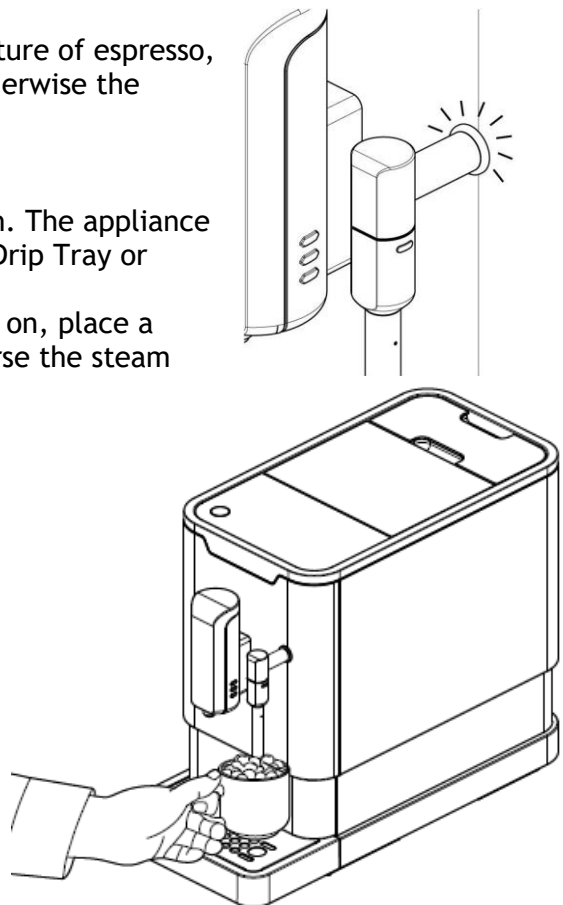
2. Slowly pour in the coffee beans.
3. Place the container lid back on the machine.

IMPORTANT: Fill the coffee bean container with coffee beans only. Ground coffee, instant coffee, caramelized coffee and any other objects may damage the machine.

IV. Preparing Frothy Milk for Coffee

Since the temperature of steam is higher than the temperature of espresso, espresso should be prepared before making frothy milk; otherwise the espresso might be burnt.

1. Prepare the espresso coffee with larger cup.
2. Turn the steam nozzle toward the Drip tray.
3. Press the steam button. Steam indicator light will flash. The appliance is heating up and draining the residual water into the Drip Tray or another container.
4. After the steam indicator light stops flashing and stays on, place a container with milk under the steam nozzle and immerse the steam nozzle about 5cm deep into the container.
5. Press the steam button again.
6. Swivel the container while the hot steam comes out.
7. When the milk is hot enough and froth has appeared, press the steam button again to stop the steam.
8. Use a wet towel to clean the nozzle cover and metal tube. (Refer to "DAILY CLEANING OF THE APPLIANCE")
9. Pour the hot frothy milk into the espresso.
10. Now you can enjoy your coffee.

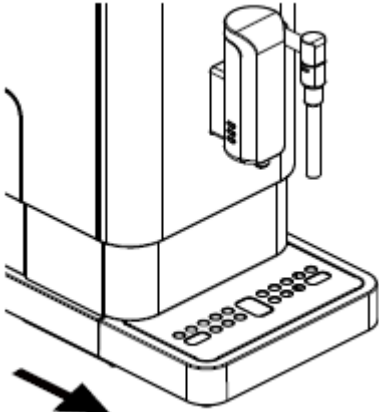
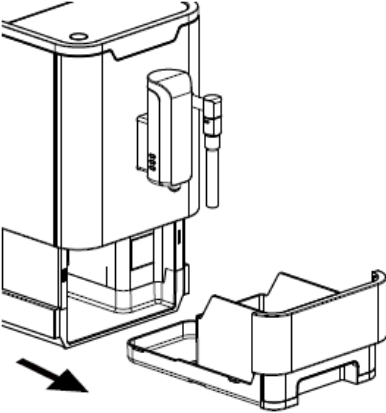

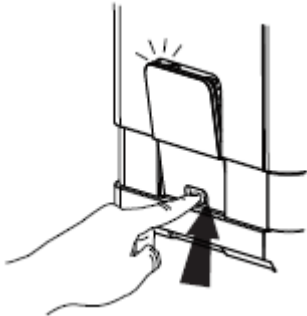


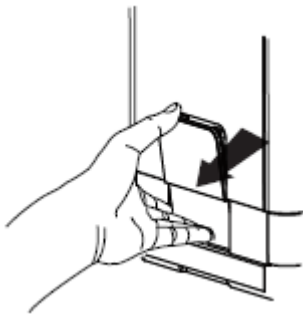
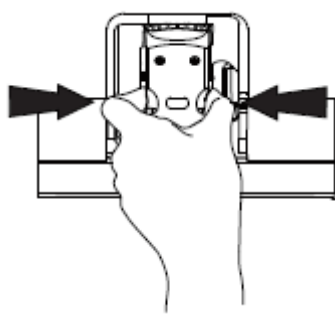
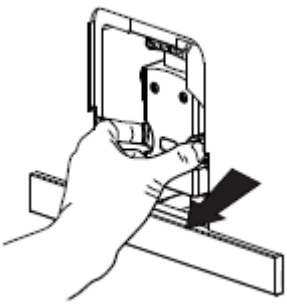


V. HOT WATER

The appliance can dispense hot water by simply pressing the hot water button. The hot water button and the backlight will be lit indicating that the appliance is heating up the water. When the hot water button and the backlight turn off, the water is ready to serve.


VI. DAILY CLEANING OF THE APPLIANCE

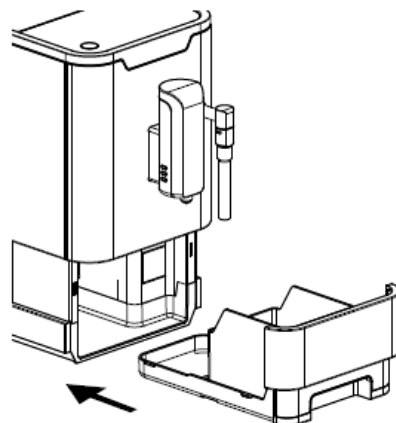
Timely cleaning and maintenance of the appliance is very important in prolonging the life of the appliance.

<p>1. Remove the external drip tray.</p>	
<p>2. Empty the water inside the drip tray in the sink and wash it with fresh water. Dry it afterwards.</p>	
<p>3. Slides open the internal drip tray and the coffee grounds container.</p>	
<p>4. Empty the coffee grounds container and wash it with fresh water. Dry it afterwards.</p> <p>Note: When  lights up, the coffee grounds container needs to be empty.</p>	
<p>5. Pull down the service door.</p>	

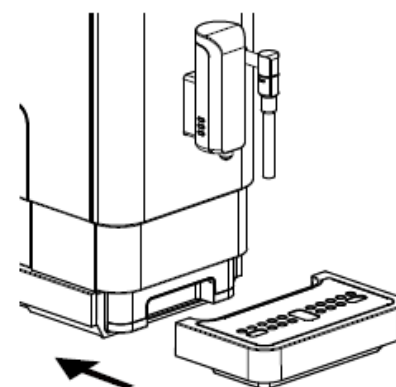
<p>6. Remove the service door.</p>	
<p>7. Press the release knob.</p>	
<p>8. Remove the brewer.</p>	
<p>9. Wash the brewer with fresh water. Dry the brewer afterwards.</p>	
<p>10. Insert back the brewer to its original position and install back the service door its original position.</p> <p>Note: When  lights up stably, it indicates that the brewer is missing / installed improperly. When  is flashing, it indicates that the service door is missing/ installed improperly.</p>	

11. Place the coffee grounds container on the internal drip tray and insert back into it original position.

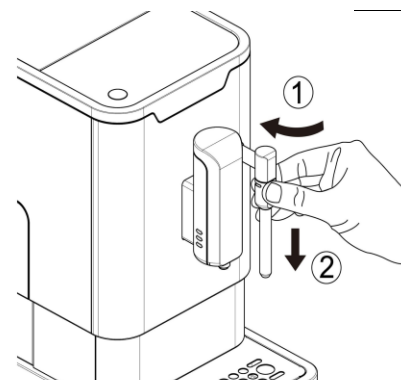
Note: When  is flashing, the coffee grounds container is missing



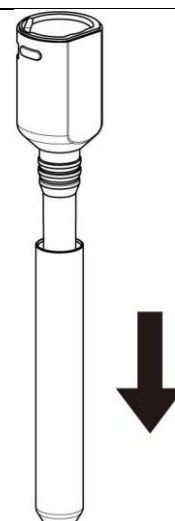
12. Place the external drip tray at its original position

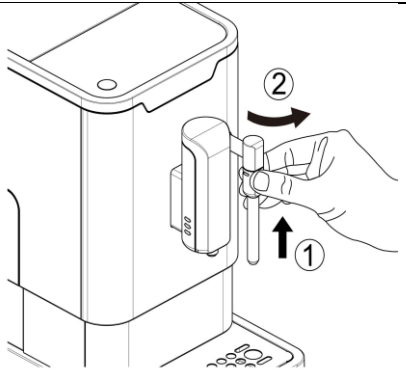


13. Unlock the nozzle cover by turning it to the left. Then pull it downward to remove.



14. Pull the metal tube downward to de-assemble the nozzle cover and metal tube.



15. Wash the nozzle cover and metal tube with fresh water.	
16. Replace the metal tube back on to the nozzle cover. Then push upward to place the nozzle cover back. Turn it to right to lock in position.	

VII. Turning Off the machine

Switch off the appliance by pressing the power on/off button.

VIII. Auto-Shut off

The Appliance is equipped with auto-shut off. Depending on the mode you have selected the appliance will have different auto-shut off timing (SEE “D. Further Setting - III Mode Selection”).

D. FURTHER SETTING

I. ADJUSTING THE AMOUNT OF YOUR COFFEE/HOT WATER

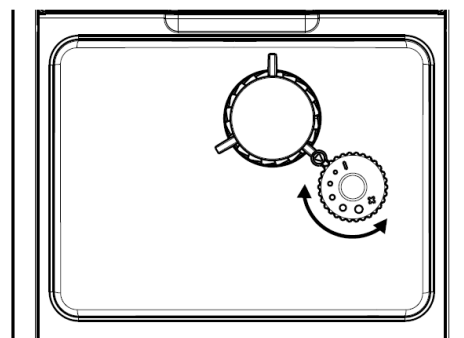
The machine can memorize your desired volume of coffee for both strong espresso and mild espresso, also the hot water, from 25ml to 250ml.

1. When making your coffee (either strong espresso or mild espresso) or dispensing hot water, press and hold the button you selected. The appliance will continue to make the cup of coffee.
2. When the amount of coffee meets your desired volume, release the button. Two beep sounds will be heard indicating that the volume of coffee had been memorized by the espresso machine.

II. GRINDING ADJUSTMENT

You can adjust the grinder to suit the roast of your coffee by turning adjuster knob in the bean container:

1. When the grinder is grinding the coffee beans, you can turn the adjuster knob to the grind you see fit. (CAUTION: Never do the grinding adjustment when the grinder is not operating. It may damage the grinder.)
2. The dots on the adjuster knob indicate the fineness of the grind.








III. MODE SELECTION


The machine has two different setting: default setting, ECO mode and speed mode. In ECO mode, the appliance helps to save more energy. In speed mode, the user can make their coffee faster than in default setting.

	ECO Mode	Speed Mode	Default Setting
Illumination Light	No	Yes	Yes
Pre-brewing*	Yes	No	Yes
Auto shut off time	10mins	30mins	20mins
Cup Volume memory	Yes	Yes	Yes

*Note: The pre-brewing function moistens the grounded beans in the brewer with a small amount of water before full extraction. This expands the coffee grounds to build up a greater pressure in the brewer which help extraction of all the oils and full flavor from the grounded beans.


1. When the machine is in standby condition, press and holds the  for 5 seconds.
2. The  will then be flashing and the following button will have the following indications
3. for different settings:

	Hot water button 	Strong espresso button 	Mild espresso button 
In ECO Mode	Lights ON	Flashing	Flashing
In Speed Mode	Flashing	Lights ON	Flashing
In Default Setting	Flashing	Flashing	Lights On

4. Press the hot water button for ECO mode, strong espresso button for speed mode and mild espresso button for default setting. Two beep sounds will be heard indicating that the mode has been selected. (Note: If you are pressing the relative lights on button for each mode, the machine will not respond).
5. If you would like the setting to remain unchanged, press  again or wait 5 seconds for the machine to return to the standby condition.

E. CLEANING & MAINTENANCE











I. SELF-CLEANING

When  is flashing, it indicates that the appliance needs to undergo self-cleaning. The appliance will remain in the best condition if this function is performed at least once a month or more regularly depending on the hardness of water used. It is suggested to:

1. Fully fill the water tank.
2. Add one pack of cleaning agent included in the box to the water tank.






IMPORTANT: Do not use vinegar or other cleaning agent to do self-cleaning of this appliance. It might damage the appliance.

3. Plug in the appliance.
4. Place a sufficient large container under the coffee spout.

5. In standby condition, press and hold  and strong espresso button  for 5 seconds. A beep sound will be heard with  and strong espresso button  will be flashing.
6. Press strong espresso button  to confirm undergoing the self-cleaning process. To resume back to the standby condition, press .
7.  will be flashing indicates that the appliance is undergoing the self-cleaning process.
(Caution: Keep skin/body away from the hot water.)
8. When all the water in the water tank is dispensed out,  strong espresso button  will be flashing. Remove all the remaining solution in the water tank and fill the tank with normal tap water until the max position. When water is filled into the water tank,  will go off. Then the appliance will continue the self-cleaning process.
9. When the self-cleaning process is completed, **the appliance will switch off automatically.**

II. EMPTY SYSTEM FUNCTION






The empty system function is recommended to be used before a long period of non-use, for frost protection and before talking to repair agent.

1. In standby condition, press and hold the  and mild espresso button  together for 5 seconds.
2.  will then be flashing.
3. Remove the water tank from the appliance.  will light up steadily indicating that the empty system function is under process. You can press  before removing the water tank to resume back to the standby condition.
4. When the empty system function is completed, the appliance will switch off automatically

Important: After performing EMPTY SYSTEM FUNCTION; press the hot water button until water comes out from spout when the coffee maker is reused again.

III. MANUAL RINSING

You can perform a manual rinsing cycle to clean the coffee nozzle after use. It is also suggested to perform a manual rinsing if the appliance has not been used for a long period of time.

1. In standby condition, press and hold the  and hot water button  together.
2. The hot water button , strong espresso button  and mild espresso button  will then go off. The coffee nozzle will then dispense a small amount of water. It is rinsing.

Danger: Water comes out of the coffee nozzle is hot and is collected in the drip tray underneath. Avoid contact with splashes of water.

3. After rinsing, the appliance will return to the standby condition.

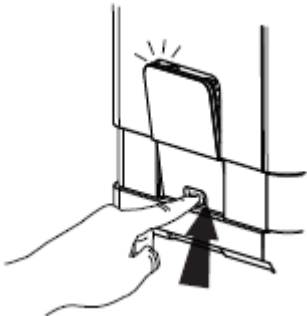
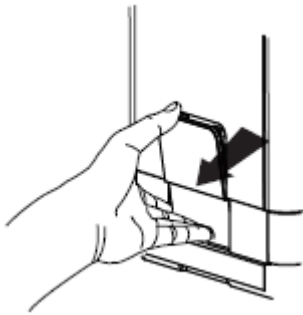
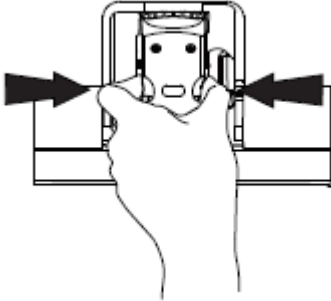
IV. CLEANING THE APPLIANCE

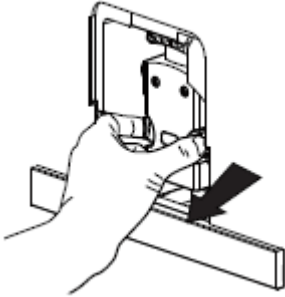
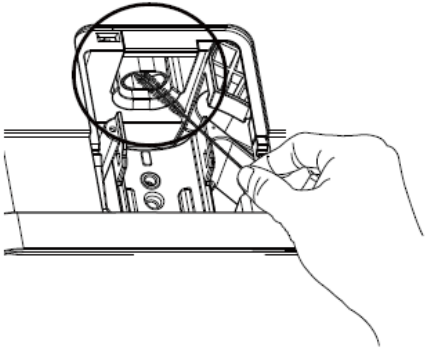
1. Disconnect the power cord from the main power outlet.
2. Empty all the water in the internal and external drip tray
3. Use a damp cloth or non-scratching cleaner to clean the water stains on the appliance.

IMPORTANT: Never use any abrasive, vinegar or descaling agents not included in the box to clean the appliance.


V. Cleaning coffee grounds outlet

Coffee grounds may stick on the wall of ground outlet of appliance after an extended period of use. It is suggested to clean the outlet by following these steps to ensure that coffee grounds can make it to the brewer.

1. Push the service door button	 A line drawing showing a hand with the index finger pointing to a small rectangular button on a metal mesh door. A black arrow points from the finger to the button.
2. Take out the service door	 A line drawing showing a hand pulling a metal mesh door away from the machine. A black arrow points from the door towards the hand.
3. Press the release knobs of brewer	 A line drawing showing a hand with both index fingers pressing inward on two knobs on the front of a coffee brewer. Two black arrows point from the fingers towards the knobs.

<p>4. Take the brewer out</p>	 A line drawing showing a hand pulling a rectangular brewer unit out of a slot in the coffee machine. The brewer unit has a handle on top and a small opening on the front. A black arrow points to the right, indicating the direction of removal.
<p>5. Use Cleaning Brush to clean the grounds outlet</p>	 A line drawing showing a hand using a cleaning brush to clean the grounds outlet of the coffee machine. The brush is inserted into a circular opening on the front of the machine. A magnifying glass is drawn around the brush and the outlet to show the cleaning action in detail.

F. TROUBLESHOOTING

PROBLEM	CAUSE	SOLUTION
The appliance does not work.	The appliance is not connected to the outlet.	- Plug in and press the switch. - Check the cable and the Plug
No or delayed response in several trials of pressing on function key on the panel	- Appliance is under an electromagnetic interference - Dirt over the panel	- Unplug the appliance. Restart after few minutes - Clean the panel with the cloth provided
The coffee is not hot enough.	- The cups have not been preheated. - The brewing unit is too cold.	- Rinse the appliance at least 3 times before making the coffee.
The coffee cannot come out from spout.	Empty system function may have just been done.	Press the hot water button until water can come out from spout.
The first cup of coffee is poor quality.	The first run of grinder does not pour sufficient quantity coffee grounds into the brewing unit.	Throw the coffee away. The other coffees will always be of good quality.
Coffee has no crema.	Coffee bean is not fresh.	Change or use appropriate brand of coffee bean.
The touch buttons are not sensitive	Not pressing the touch button from the front direction of the appliance	Press the lower bottom part of the icon of the touch button from the front direction of the appliance.
The appliance takes too long time to warm up.	Excessive scale has built up.	Descale the appliance.
The water tank is removed / the water level is very low in the water tank but  have no alert.	The area near the water tank connector is wet.	Wipe the water around the water tank connector
Internal drip tray is filled with a lot of water.	Coffee grounds were too fine which block the water being able to come out.	Adjust the coffee fineness to bigger dot during grinder operation.
Coffee is delivered too slowly or a drop at a time.	Coffee grounds were too fine which block the water being able to come out.	Adjust the coffee fineness to bigger dot during grinder operation.
Lack of bean indicator flashes but there is still a lot of coffee bean inside the container.	Internal coffee grounds outlet is blocked.	To follow the steps of section E (V. Cleaning coffee grounds outlet).